

ACCESSORIES

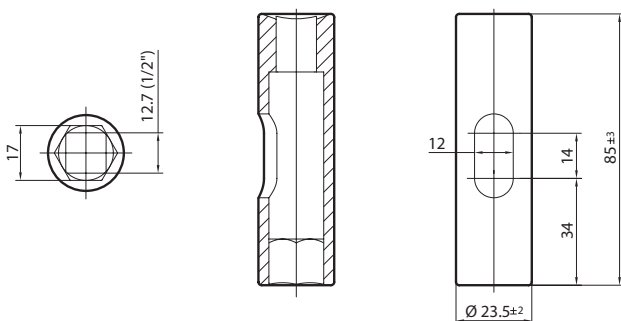
Fastening socket



The fastening socket is used for tightening according to the torque of the RollerDrive fastening nut using a torque wrench. The socket features a lateral opening through which the RollerDrive connecting cable can be fed to the outside.

Article number: S-1101248

Dimensions



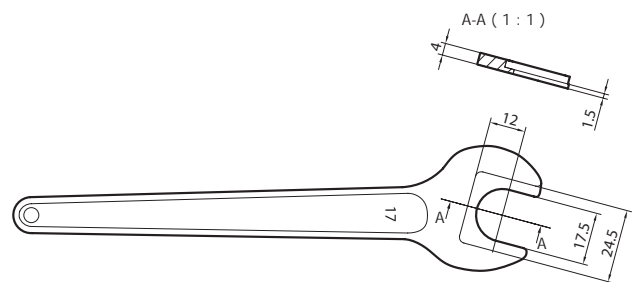
Counter wrench

The RollerDrive EC310 has a glued-on ribbed nut that is located at the bearing housing. An additional nut is used to screw the RollerDrive in the side profile. Depending on the condition of the side profile, the glued-on nut must be secured with a counter wrench while tightening the outside nut.

The counter wrench size 17 WAF fits perfectly between the flange of the ribbed nut and the bearing housing of the EC310.

Article number: S-1101270

Dimensions



RollerDrive EC310 extension cable



The connecting cable of the EC310 can be extended easily with a plug connection by using the RollerDrive extension cable.

Article number: S-1004033

Technical data

- Temperature range: -30 to +40 °C
- Color: Black
- Length: 2 m
- Outside diameter: 5 mm
- Plug connection: M8 snap-in plug and socket
- Protection rating: IP67 in connected state
- Suitable for drag chains: no